

APPLICATION FOR ACCESSORY BUILDING PERMIT

CITY OF PAPILLION

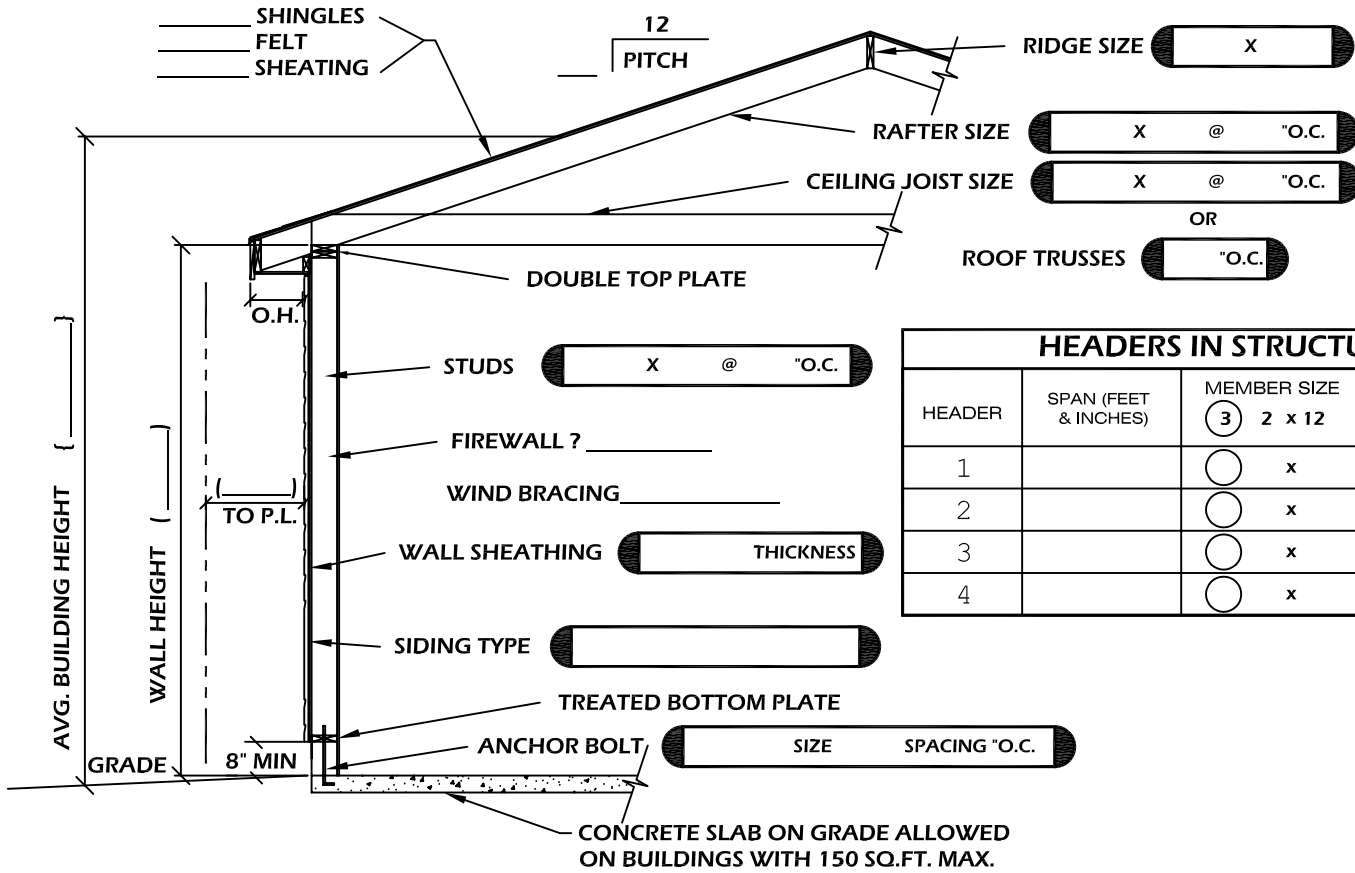
122 East Third Street
Papillion, NE 68046
www.papillion.org



INSPECTION HOTLINE 402-597-2072

ADDITIONAL ACCESSORY STRUCTURE REQUIREMENTS ON BROCHURE

REQUIRED INFORMATION
ALL [] & [] SEEN BELOW



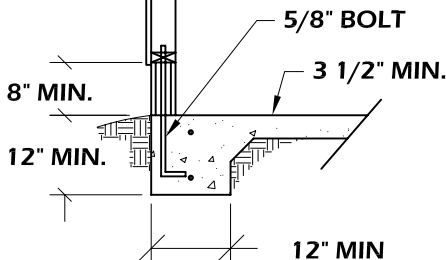
HEADERS IN STRUCTURE			
HEADER	SPAN (FEET & INCHES)	MEMBER SIZE ③ 2 x 12	# OF JACK STUDS
1		○ x	
2		○ x	
3		○ x	
4		○ x	

FOUNDATION TYPES

MONOLITHIC SLAB UP TO 750 S.F.

NOTES:

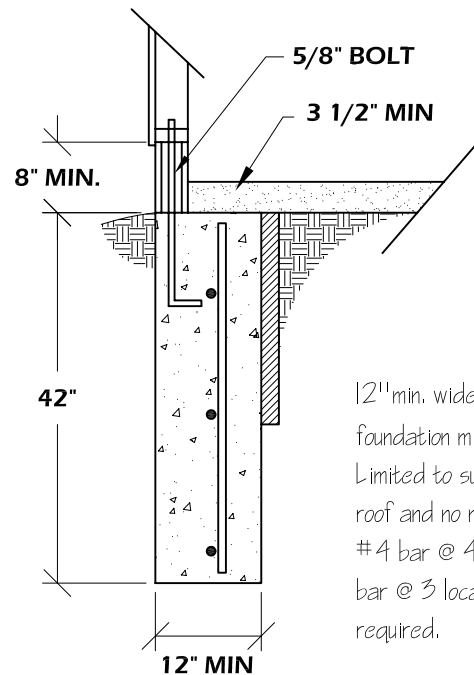
Floating foundation approved for detached structures no more than 750 s.f. Min 12" deep in the ground, and 12" wide at the base. Extend min. 8" above grade. Anchor bolts required as per chart..



ADDITIONAL REQUIREMENTS:

1. Detached structures less than 150 s.f. do not require foundations.
2. Floating foundations may use max. one course of concrete block as a curb.

FROST FREE OVER 750 S.F.



NOTES:

12" min. wide, 42" min. deep Extend foundation min. 8" above grade. Limited to supporting one floor, one roof and no masonry veneer. Vertical #4 bar @ 48" o.c., horizontal #4 bar @ 3 locations. Anchor bolts required.